

SWIT®

Rechargeable Li-ion Battery Pack

LB-CA90C

Ver:A

USER MANUAL

SWIT Electronics Co.,Ltd.

Tel:+86-25-85805753
Fax:+86-25-85805296
<http://www.swit.cc>
E-mail: contact@swit.cc

Congratulations on your purchase of this product. Please read this user manual carefully.

Warning

Keep in mind the following precautions to avoid fire and other safety hazards!

- ◆ Do not use battery in fire or hot places to prevent overheating, cracking and other hazards.
- ◆ Please do not pierce the battery shell or try to open the shell and decompose the battery.
- ◆ Please use and store the battery within the specified temperature range.
- ◆ Do not charge the battery in the car or in direct sunlight.
- ◆ Do not use damaged battery.
- ◆ Do not squeeze the battery shell which may cause physical damage.
- ◆ Make sure the power-consuming equipment(s) meet the battery specifications.
- ◆ Use SWIT charger or SWIT recommended charger to charge the battery to avoid overheating or break.
- ◆ Keep out of the reach of children.

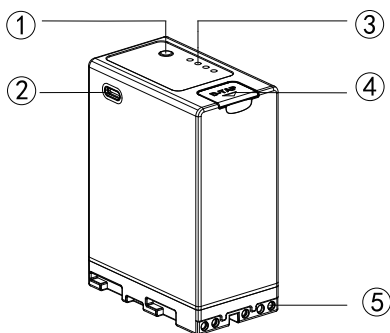
Attention

- ◆ It is normal for batteries to get hot during charging and use.
- ◆ Keep the pole of the battery clean to ensure a better use experience
- ◆ Keep the battery in a cool and dry place for long-term storage. It is recommended to keep the battery level above 50%.
- ◆ After ten days, the battery will enter sleep mode automatically and the output will be turned off. Press the indicator light button to restore the output.

Product feature

- ◆ One both-way Type-c interface,can supply power to mobile device or be charged with Type-c charger.
- ◆ One both-way D-TAP interface,can supply power to other device or be charged with this interface.
- ◆ 4-level LED power indicator to display the battery remaining capacity percentage and low-voltage alarm warning.
- ◆ Build-in multiple protective circuit design.

Appearance



- ① 4-level LED power indicators
- ② USB output socket
- ③ Power check button/USB output button
- ④ D-TAP input/output socket
- ⑤ Electric pole

Charging Instruction

- ◆ Supports using the universal TYPE-C charger, SWIT PC-U130B, SWIT PC-U130B2 and Canon charger to charge.
- ◆ Batteries can be charged in the temperature range of 0 ~ 40 ° C, but we recommend charging in the temperature range of 10 ~ 30 ° C to ensure better battery performance.

Discharging Instruction

- ◆ Please put on the rubber cover immediately after use to avoid dust.
- ◆ The battery can discharge in -20°C ~ 50°C;The battery performs best when used in the temperature range of -10 ~ 40°C.

Specification

Model		LB-CA90C		
Capacity		90Wh, 6.2Ah		
Nominal voltage		14.4V		
Interface parameter	Pole	Output	50W,4A	
		Input	16.8V \pm 3A	
		Compatibility	Canon EOS C300 MarkII, EOS C200 etc.	
	TYPE-C	Output	45W(Max), 5V/9V/12V/15V/20V(Max) \pm 2.25A Support protocol: 1.BC1.2,IOS and SAMSUNG 2.QC2.0,3.0 3.FCP,SCP 4.PD2.0,3.0	
			Input	5V/9V/12V/15V/20V(Max) \pm 2.25A
	D-TAP	Output	50W, 4A	
		Input	16.8V \pm 3A	
	Total output power		50W, 4A	
Dimension		69.6×41.5×95.9mm		
Dimension(With carton)		77.0×45.0×104.0mm		
Net weight		460.5g		
Net weight(With carton)		477.0g		
Charging temperature		0°C~40°C (建议10°C~30°C)		
Discharging temperature		-20°C~50°C (建议-10°C~40°C)		
Storage temperature		-20°C~50°C		