

SWIT®
FL-C60D
LED Spot Light
 Ver: A

USER MANUAL

SWIT Electronics Co.,Ltd.

Tel:+86-25-85805753
 Fax:+86-25-85805296
 http://www.swit.cc
 E-mail: contact@swit.cc

Thank you for choosing SWIT products. Please read the instructions before using, and keep it for future reference.

Specification

Model	FL-C60D
Color temperature	2700K-8000K
Brightness	0%-100%
Max illuminance	Spot: 25000Lux@1m Flood:4000Lux@1m
Half-intensity Beam angle	Spot:15° ; Flood:60°
CRI	≥92
TLCI	≥96
Working voltage	DC 11-36V
Power	Approx. 60W
Dimension	as shown in the figure
Weight	Approx. 2.1kg

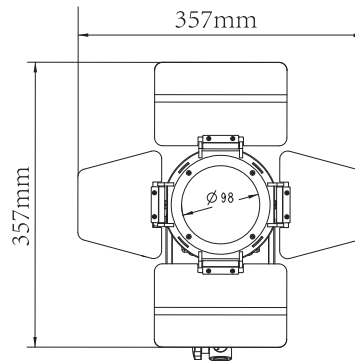


Fig.1

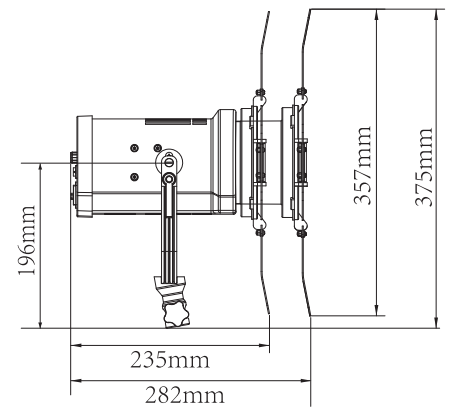


Fig.2

Caution

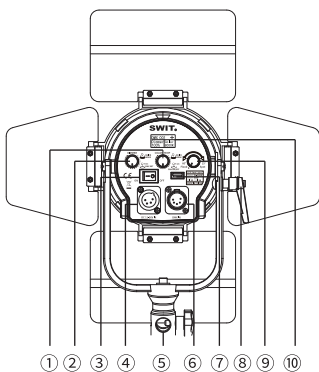
1. Do not disassemble the light or touch the interior of the light with metal objects, so as not to cause damage;
2. Please avoid storing lights in dusty or humid environment to avoid damaging or affecting the usage;
3. In order to avoid accidental dropping and damage of the barn doors during transportation, please reduce the light head to the minimum position for storage;
4. When the environment temperature is lower than -2 °C, the trailing of LCD fan will not affect the use;
5. The USB interface is reserved. Please use it according to the specified environment of SWIT relevant products. It cannot be used for other purposes to avoid losses;
6. Use this product only within the temperature range of -10 °C ~ 40 °C.

Cleaning

1. Please use a soft dry cloth to clean the Fresnel lens of this product, or use a soft cloth slightly dipped in neutral detergent, but wipe it with a soft dry cloth after cleaning.
2. Do not wipe the front panel with wet cloth, anhydrous alcohol, gasoline or a mixture of anhydrous alcohol and ether, otherwise it may damage the Fresnel lens.

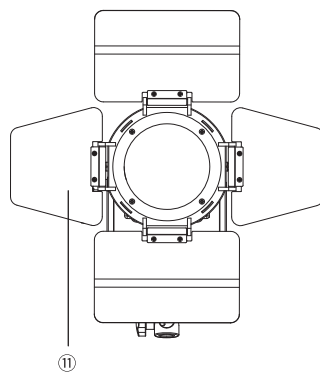
Appearance

Rear View:



- ① Color temperature knob
- ② Dimmer knob
- ③ POWER switch
- ④ DC 11-36V IN

Front View:



- ⑤ Bracket connector
- ⑥ DMX IN
- ⑦ USB interface
- ⑧ Adjustable handle
- ⑨ Flood/Spotknob
- ⑩ LCD
- ⑪ Barn door

LCD screen Display

- SWIT** > Boot screen
- DMX xxx > Current DMX address, range: 001-512
- Dimmer xxx% > Current dimmer value, range: 0%-100%
- Color xxxxK > Current color temperature value, range: 2700K-8000K
- Under Vol. > Under voltage
- Over Vol. > Over voltage

The fan running in normal mode, Dimmer adjustable range 0%-100%.
 Note: Dimmer ≤ 50%, the fan icon still;
 Dimmer > 50%, the fan icon rotating.



In Silent mode, the fan disabled, Dimmer adjustable range 0%-50%.



The icon flashing, the light activating the over-temperature protection function.



Usage

1. Installation

Install the product on the light stand or bracket according to the requirements, and adjust the beam angle through the adjustable handle on the side of the light (Fig. 3 ⑧).

2. Power supply

The product is powered by batteries or power adaptors.

3. Dimmer and Color temperature setting and usage

This product has two adjustment modes of color temperature and dimmer: normal adjustment mode and fast adjustment mode. Press the dimmer/color temperature knob (Fig. 3 ②/①) to switch the adjustment modes of corresponding dimmer or color temperature. The user can quickly set the dimmer/color temperature by combining the two adjustment modes according to the usage requirements.

3.1 Normal adjustment mode

(1). Color temperature adjustment range: 2700K-8000K, adjustment step: 100K

(2). Dimmer adjustment range: 0%-100%, adjustment step: 1%

3.2 Fast adjustment mode

(1). Color temperature adjustment

In this mode, common color temperatures can be quickly selected: 2700K, 3200K, 4500K, 5600K, 6500K, 7200K, 8000K.

(2). Dimmer adjustment range: 0%-100%, adjustment step: 10%

4. DMX address setting and usage

4.1 DMX address setting

Long press the dimmer knob (Fig. 3 ②) for about 2s to enter the DMX address setting interface. The DMX address setting range is: 001-512.

The DMX address digit flashing indicates that the current address is selected. Rotate the dimmer knob (Fig. 3 ②) to set the current address, and press the dimmer knob (Fig. 3 ②) to determine the current address setting and enter the next address setting. When the last address setting is completed, press the dimmer knob (Fig. 3 ②) or wait for about 5s to exit the DMX address setting.

4.2 Light DMX Channel Definition

Connect DMX signal output device with this product and set the DMX address, and then use it normally.

The product occupies 3 DMX control channels. If the current DMX address is set to N, then N is dimmer control, N + 1 is color temperature control, and N + 2 is Flood / Spot control.

For example:

DMX address	DMX control channel	Control function
005	005	Dimmer adjustment 0%-100%
	006	Color temperature adjustment 2700K-8000K
	007	Flood/ Spot control

5. The fan running mode selection

There are two running modes for the fan. The user can freely select according to the requirements by long pressing the color temperature knob (Fig. 3 ①).

5.1 Normal Model

The fan runs in normal mode by default, and the dimmer adjustment range is 0% - 100%.

5.2 Silent mode

In this mode the fan stops running, and the dimmer adjustment range is 0% - 50%.

5.3 Switch between normal mode and silent mode

Long press the color temperature knob (Fig. 3 ①) for about 2s to switch between normal mode and silent mode.

6. Flood/Spot adjustment

The users can adjust the focus by rotating Flood/Spot knob (Fig.3 ⑨). Clockwise, Flood→Spot; Counterclockwise, Spot→Flood.

7. Over-temperature protection

In order to protect the light source from damage, this product has the over-temperature protection function. When the light source temperature is too high, the Dimmer will drop to 0%, and the Color parameter will remain unchanged. When the light source temperature drops to the safe range, the product will return to the normal working state.

8. USB interface usage

The USB interface is reserved. Please use it according to the specified environment of SWIT relevant products. It cannot be used for other purposes to avoid losses.

Usage

	Packing details	Package 1
1	FL-C60D	x 1
2	Power cable	x 1
3	Power adaptor	x 1
4	S-7200S (Battery plate with clamp)	x 1
5	S-7101 (D-tap to 4-pin XLR DC Cable)	x 1
6	User manual	x 1
7	Warranty card	x 1
8	LA-WR8-R (optional)	The customer can purchase separately according to the requirements.
9	LA-WR8 (optional)	