

# USER MANUAL

## SWIT Electronics Co.,Ltd.

Thank you for choosing SWIT products. Please read the instructions before using, and keep it for future reference.

### Specification

Model	BL-200	BL-300
Color temperature	5600K	
Brightness	000%-100%	
CRI	97	
TLCI	98	
Beam angle	61°( Without Shield )	
Maximum illuminance	5900 Lux@1m (Without Shield) 38000 Lux@1m (With Standard Shield)	12100 Lux@1m (Without Shield) 54000 Lux@1m (With Standard Shield)
Ways of control	Knob、Button、APP、DMX	
Working voltage	AC 100-240V,50/60Hz;DC 12-17V	
Input power	200W	300W
Dimension(mm)	Shown as Below	
Net weight	Controller: 1.9Kg; Light Body:1.8Kg	Controller: 2.0Kg; Light Body:2.6Kg

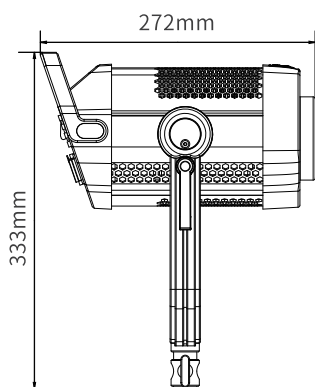


Fig.1 BL-200 Left View

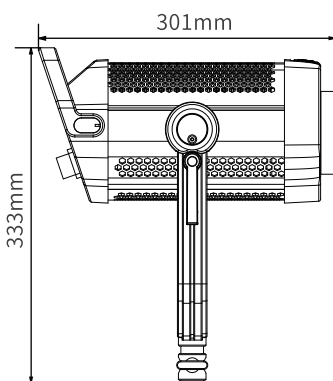


Fig.2 BL-300 Left View

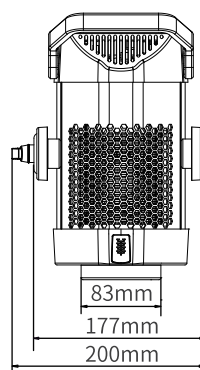


Fig.3 Top View

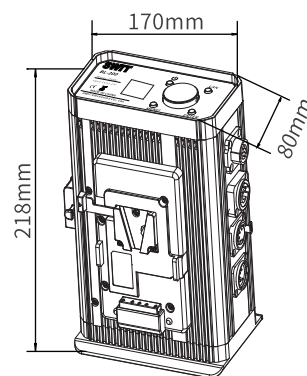


Fig.4 Controller

### Warning

1. Do not pull out the power cable when the light is power on. Cut off the power when not using, switch off the light before pull out or plug in;
2. Do not disassemble the light or touch the internal of the light with metal object to avoid damage;
3. Do not use the light in raining or snowing days or store in wet environment.

## Appearance

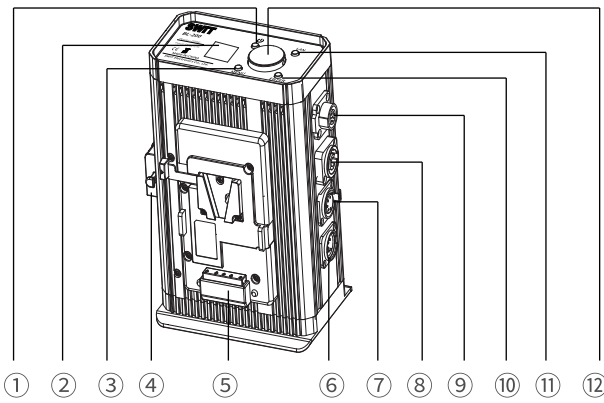


Fig.5 Controller

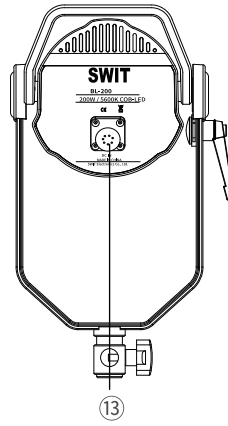


Fig.6 Light body

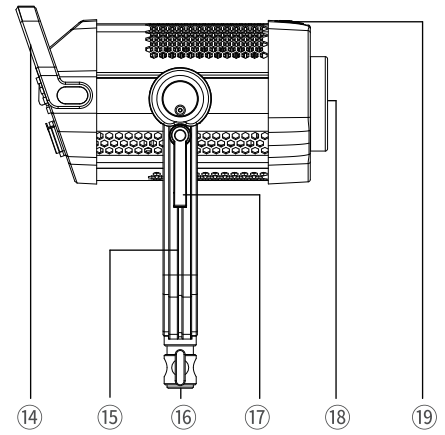


Fig.7 Light body

- |                  |              |                            |                   |
|------------------|--------------|----------------------------|-------------------|
| ① Power switch   | ② LCD screen | ④ "MENU"                   | ④ Cold shoe       |
| ⑤ Battery plate  | ⑥ DMX IN     | ⑦ DMX OUT                  | ⑧ AC INPUT        |
| ⑨ DC OUTPUT      | ⑩ "ENTER"    | ⑪ "LANGUAGE"               | ⑫ Adjusting knob  |
| ⑬ DC INPUT       | ⑭ Handle     | ⑮ U-shape bracket          | ⑯ Bracket adaptor |
| ⑰ Fastening Knob | ⑱ LED        | ⑲ Light shield fixed cover |                   |

## Control Interface & Menu

### 1. MENU INTERFACE

Switch on the light(Fig.5 ①),screen will show the interface before last time switch off, press"ENTER"button (Fig.5 ⑩)to return to menu interface(Fig.8).

### 2. CCT MODE

Press"MENU"button(Fig.5 ④)to return to menu interface(See Fig.8),press "ENTER"button(Fig.5 ⑩)to enter into CCT mode(See Fig.9), press "ENTER" button(Fig.5 ⑩)again to choose intensity,rotate the adjusting knob(Fig.5 ⑫)to adjust the intensity of the light in according to use requirement.

No.	Parameter	Adjusting Range
1	Intensity	000%-100%

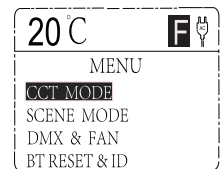


Fig.8 MENU Interface

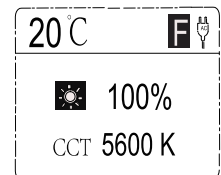


Fig.9 CCT Mode Interface

### 3. SCENE MODE

Press"MENU"button(Fig.5 ④)to return back to menu interface(See Fig.8), rotate the adjusting knob(Fig.5 ⑫) to "SCENE", press"ENTER"button (Fig.5 ⑩)to enter into scene mode(See Fig.10):

- ▶ Rotate the adjusting knob(Fig.5 ⑫):change the parameter or change the value;
- ▶ "ENTER"button(Fig.5 ⑩):choose the parameter or back to previous step.

No.	Parameter	Adjusting Range
1	SCENE	OFF,01-09
2	SPEED	00-10
3	Intensity	000-100

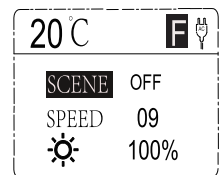


Fig.10 SCENE Mode Interface

### 4. DMX & FAN SETTING

Press"MENU"button(Fig.5 ④)to return back to menu interface(See Fig.8),rotate the adjusting knob(Fig.5 ⑫) to "DMX & FAN Setting", press"ENTER"button(Fig.5 ⑩)to enter into DMX & FAN setting mode(See Fig.11):

- ▶ Rotate the adjusting knob(Fig.5 ⑫):change the parameter or change the value;
- ▶ "ENTER"button(Fig.5 ⑩):choose the parameter or back to previous step.

No.	Parameter	Adjusting knob
1	DMX	000-512
2	FAN	ON/OFF

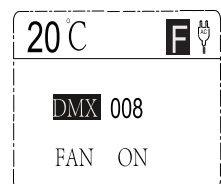


Fig.11 DMX & FAN Setting Interface

## 5. Bluetooth Resetting & ID

Press "MENU" button (Fig.5 ④) to return back to menu interface (See Fig.8), rotate the adjusting knob (Fig.5 ⑫) to "Bluetooth reset & ID", press "ENTER" button (Fig.5 ⑩) to enter into Bluetooth reset & ID interface (See Fig.12), rotate the adjusting knob (Fig.5 ⑫) to set "?" to "Yes", then finished the reset.

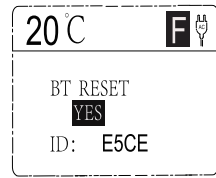


Fig.12 Bluetooth Resetting & ID

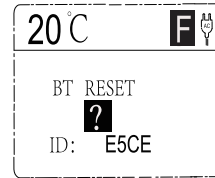


Fig.13 Bluetooth Resetting & ID

## 6. Language

Press "LANGUAGE" button (Fig.5 ⑩) to change the language between Chinese and English.

## 7. Parameter Adjusting Speed

This product is equipped with fast and slow adjustment modes for parameters. Press the adjustment knob (Figure 5) to complete the switch. The upper right corner of the screen shows:

- ▶ "F" represent fast adjusting mode;
- ▶ "S" represent slow adjusting mode.

## DMX Mode

Press "MENU" button (Fig.3 ⑨) to change the working mode to DMX mode, connect all the light through DMX cable and connect with DMX signal output device, set the DMX address (See 4 **DMX & FAN SETTING**).

This product occupy one DMX channel to adjust the intensity, intensity adjusting range: 000%-100%.

## APP Usage

### 1. APP Name and download

1) **APP Name:** SWIT BL(Android)/ DeSal Lite+(IOS)

2) **Download:**

- ▶ Android: Scan QR to Install (Fig.14);
- ▶ IOS: Apple Store search "DeSal Lite+" to Install.



Fig.14 APP(Android)

### 2. APP Using Attention

- ▶ Please reset the Bluetooth of light if APP can not recognize the light;
- ▶ APP can only control to turn off the brightness of the light, and the power switch of the lamp is controlled in the body.

## Packing List

No	Accessories	Quantity
1	BL-200 or BL-300 light body	x 1
2	Controller	x 1
3	AC power cable	x 1
4	DC power cable	x 1
5	Control box bracket	x 1
6	Standard shield	x 1
7	Certification	x 1
8	BA-OCT36(36-inch Octagonal Softbox)	Opitonal Accessories
9	BA-LAN26(26-inch Lantern Softbox)	
10	BA-PARA26(26-inch Parabolic Dome Softbox)	
11	BA-BD16(16-inch Beauty Dish)	
12	BA-ST3(3.1-inch Snoot With honeycomb)	
13	BA-F3X(Fresnel 12°-40°3x Lens)	
14	BA-BK4(Bowens 4-leaf Barndoor for standard reflector)	