

SWIT®

S-2320/S-2330

LED Spot light

Ver: C

USER MANUAL

SWIT Electronics Co.,LTD.

Tel:+86-25-85805753
Fax:+86-25-85805296
http://www.swit.cc
E-mail: contact@swit.cc

Thank you for choosing SWIT products. Please read the instructions before using, and keep it for future reference

Appearance

S-2320 (Fig 1-Fig 3) :

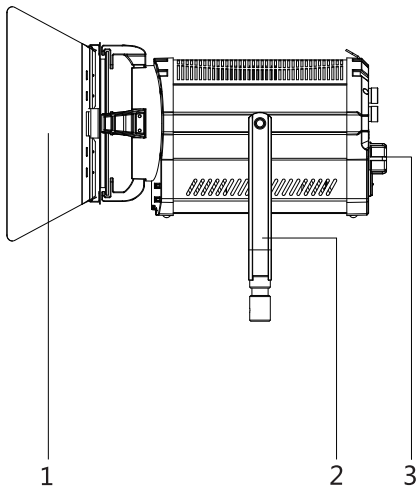


Fig 1

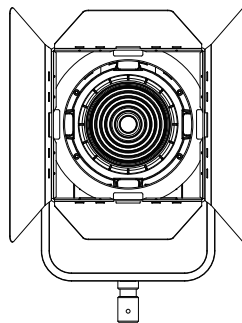


Fig 2

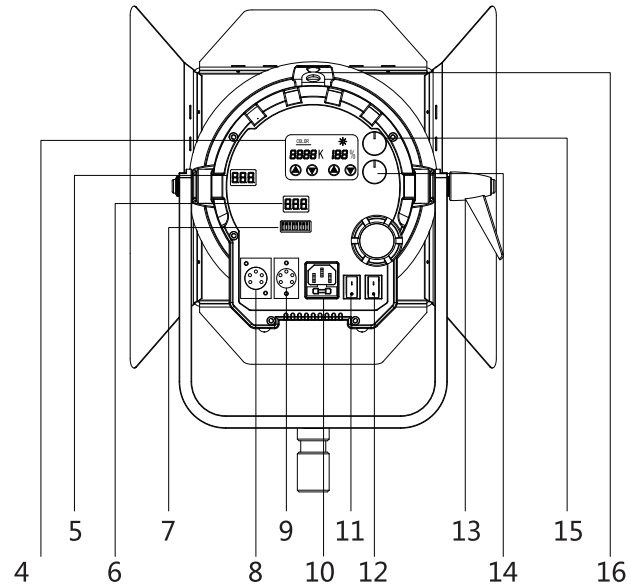


Fig 3

S-2330 (Fig 4-Fig 6) :

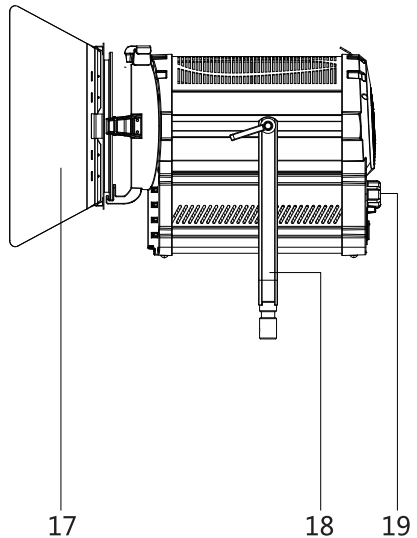


Fig 4

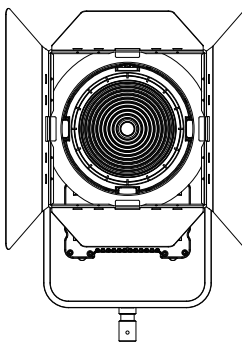


Fig 5

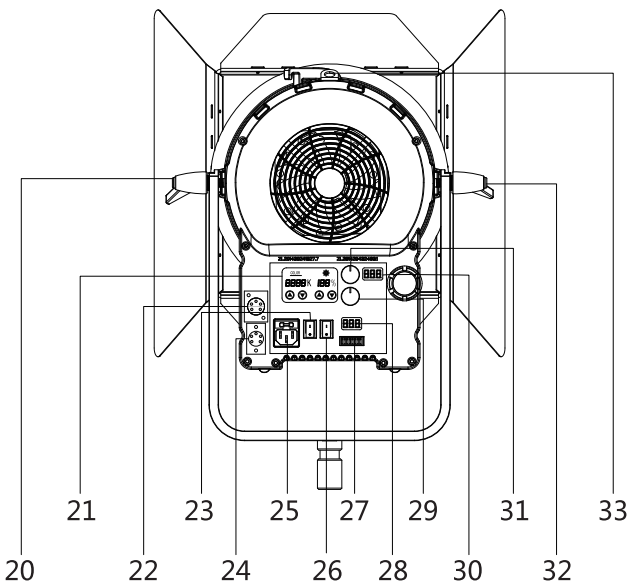


Fig 6

- | | | | |
|-----------------------|---------------------------------|----------------------------------|--------------------------------|
| 1、 17 Barndoor | 5、 30 Color temperature display | 9、 24 DMX input | 13、 20、 32 U shape rotary knob |
| 2、 18 U shape bracket | 6、 28 DMX address display | 10、 25 Power socket /Safety Ring | 14、 29 Brightness knob |
| 3、 19 Focus knob | 7、 27 DMX DIP switch | 11、 23 power switch | 15、 31 Color temperature knob |
| 4、 21 LCD screen | 8、 22 DMX output | 12、 26 Fan switch | 16、 33 Safety Ring |

Feature

1. Adopt ultra-bright Surface Mounted LEDs with accurate color temperature and 50,000hrs long life time;
2. 3000K-8000K continuously adjustable color temperature; 10% to 100% PWM digital integrated dimming, and the process is smooth, stable and no flash;
3. Three ways of adjusting color temperature and brightness: LCD screen、Brightness/Color temperature knob、DMX controller, simple and easy;
4. Real-time light beads temperature monitoring, with overheating protection, maximally ensure the LED service life;
5. With dormant and Semi-light fanless ultra-quiet function
6. With a special black-out cloth, can effectively prevent light leakage;
7. Adopt light and control box integrated design, easy to install and use;
8. Apply to studio scenery lighting, film shooting and other professional camera shooting field

Caution

1. Please DO NOT disassemble the light or touch its inside with metal objects to avoid damage;
2. Please DO NOT use the light outdoors under rain and snow, or put in damp environment;
3. Please DO use the safety ropes when hanging the light;
4. Only use the light in the temperature range of -10°C~40°C.

Specifications

Model	S-2320	S-2330
Beam angle	20°-70°	
Color temperature	3000K-8000K	
CRI	≥95	
TLCI	≥95	
Working voltage	AC 100-240V 50/60Hz	
Power	Appr.160W	Appr.300W
Dimensions (mm)	390 x 320 x 370	490 x 500 x 400
Weight	5Kg	11.1Kg

Luminance

Model \ Distance	Spot		Flood	
	S-2320	S-2330	S-2320	S-2330
3m	1800 Lux	5940 Lux	546 Lux	913 Lux
5m	666 Lux	2139 Lux	196 Lux	364 Lux
7m	320 Lux	1090 Lux	100 Lux	193 Lux

LCD screen Display

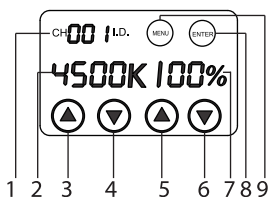


Fig 7 Normal working status

1. Current DMX address
2. Current CT value
3. CT increase button
4. CT decrease button
5. Dimmer increase button

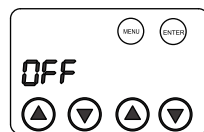


Fig 8 Sleep Mode

6. Dimmer decrease button
7. Current dimmer value
8. "ENTER" button
9. "MENU" button

Usage

1. Installation

Install the U shape bracket, Barn doors and Black-out cloth according to requirements before using; when hanging the light, please use the safety rope, the rope should run through the U shape bracket and safety ring

2. Power supply

Please plug the power supply cable when the power switch is off to avoid any damage (power switch to "I" is on, to "O" is off).

3. Color temperature and Dimmer adjust

After powered on, user can adjust the color temperature and dimmer according to their requirements through the LCD screen, dimmer/color temperature knob and DMX controller.

Operations of adjusting color temperature and dimmer by DMX controller are as follow:

● DMX control

One light occupies 2 adjacent DMX channels. The current set DMX address (N) is assigned to Dimmer controlling; and the next DMX address (N+1) is assigned to Color temperature controlling. For example:

If the light DMX address set to 005, then correspondingly DMX channel and function shown in table 1:

DMX channel	Function
CH5	Brightness adjustment from 0%-100%
CH6	Color temperature adjustment from 3000K-8000K

Table 1

● DMX address setting

As in Fig 6, user can set DMX address by the "MENU" button and "ENTER" button; (see Fig 7 "CH xxx I.D.")

- (1) Press the "MENU" button and select the three digits, the selected digit will flash;
- (2) Press "ENTER" button and set the current digit value, value range 0~9;
- (3) Two ways to complete and exit DMX address settings:

Way 1: Press "MENU" button and switch to the last digit, then press "MENU" button again to exit;

Way 2: After setting, just wait for about 20s will complete and exit DMX address setting.

- (4) DMX address setting range is 000~999, 001~512 is the valid value, 000 indicates the DMX control is not enabled, 513~999 is the reserved value.

4. Focus adjust

Rotate the focus knob clockwise, the light beam angle decrease; rotate counterclockwise, the light beam angle increase.

5. Sleep mode

When using, if temporarily do not need light output, user can choose to turn off the power switch, or use the sleep mode: Press the Dimmer knob, the light enter to sleep mode, LCD screen displays "OFF" (see Fig 8); Press the knob again to cancel the sleep mode, the light dimmer and color temperature restore to previous settings.

6. Silent mode

When strictly silent environment is requested, S-2320/S-2330 can be switched to "Silent Mode" to turn off the fans (fan switch to "I" is on, to "O" is off).

- It is recommended that under Silent mode user should reduce the dimmer, otherwise it is easy to trigger the overheat protection function due to the high temperature of the LED
- The light overheat protection trigger threshold: LED temperature of about 75 °C

Packing List

	Packing details	Standard package	Thailand customized package
1	S-2320/S-2330	x1	x1
2	Barn door,	x1	x1
3	power cable	x1	x1
4	Black-out cloth	x1	x1
5	U-shape bracket	/	x1
6	U-shape bracket fastener	/	x1
7	Warranty card	x1	x1
8	User manual	x1	x1