

SWIT®

S-2240/S-2241 LED Panel Light

Ver:A

USER MANUAL

SWIT Electronics Co.,Ltd.

Tel:+86-25-85805753
Fax:+86-25-85805296
http://www.swit.cc
E-mail: contact@swit.cc

Thank you for choosing SWIT product. Please read the instructions before using, and keep it for future reference.

Features

- ◆ Adopt ultra-bright bi-color Surfaced mounted LEDs with accurate color temperature and 50,000hrs long life time;
- ◆ 3200K-5600K continuously adjustable color temperature , 10%-100% dimmer adjustable ;
- ◆ 6V-17V wide voltage input, support D-tap power cable and standard DV camera battery;
- ◆ SMD LED with an equally spread area of soft and non-flick light.
- ◆ Smaller size, light and portable, suitable for indoor and outdoor video lighting.

Caution

1. Never disassemble the light or touch its inside with metal objects to avoid damage.
2. Do not stain the LED bead to avoid any damage on using effect.
3. Do not put the light in dust or humid environment to avoid damage.
4. Only use the light in the temperature range of -10°C~40°C.

Specification

| Model | S-2240 | S-2241 |
|----------------------|---|---|
| LED | 60pcs | 153pcs |
| luminance | 300 Lux@1m | 640 Lux@1m |
| Half peak beam angle | 68° | |
| Beam angle | 120° | |
| Color temperature | 3200K±200K~5600K±300K | |
| Input voltage | About 12W | DC6~10V about 12W DC10~17V about 20W |
| Working voltage | DC 6V-17V | |
| Dimension | 143(W)×91(H)×34(D)mm | |
| Weight (main unit) | About 166g | About 182g |
| Accessory | Cold shoe ball head, Diffuser, portable bag, battery plate, D-tap cable | |

Cleaning

1. Clean the light and diffuser with a soft dry cloth, or clean with a soft cloth dipped with neutral detergent first, then wipe with a soft dry cloth.
2. Do not clean the light and diffuser with a wet cloth, anhydrous alcohol, benzene, mixture of anhydrous alcohol and ether to avoid damage.

Usage

1. Power supply

The S-2240/2241 accepts two ways of power supply:

- ①. By various standard DV camera batteries
- ②. By DC input cable

①. By various standard DV camera battery

Select a compatible S-7004 series battery plate to match your DV battery. Reference list as below:

| Model | Compatible battery type | Recommended SWIT battery models |
|---------|----------------------------|---------------------------------|
| S-7004F | SONY NP-F970/770 | S-8972/8970/8770 |
| S-7004D | Panasonic CGA-D54/VW-VBD58 | S-8D62 |
| S-7004C | Canon BP-945/970G | S-8945/8845 |
| S-7004U | SONY BP-U30/60 | S-8U63 |
| S-7004E | Canon DSLR LP-E6 | S-8PE6 |
| S-7004B | Panasonic VW-VBG6 | S-8BG6 |
| S-7004V | JVC BN-VF823 | S-8823 |
| S-7004I | JVC SSL-JVC50 | S-8I50 |

②. By DC input cable

Support 5.5/2.1mm pole DC connector and the input voltage is 6-17V; and inner: positive, Outer: negative.

Make sure not to use the battery and DC power cable simultaneously, please do unplug the DC power cable when using a battery.

Please make sure the power supply's voltage and power meet the light input requirements.

2. Installation

The light can be fixed on a tripod via 1/4" screw head, and can be fixed on camera with a cold shoe ball head.

3. Illuminance adjustment

Revolve the dimmer knob to adjust the illuminance from 10% to 100%.

4. Color temperature adjustment

Revolve the color temperature adjusting knob to adjust from 3200K±200K to 5600K±300K continuously.

5. Diffuser

User can apply the diffuser in front of LEDs by magnet to get soft light.

Front and rear view

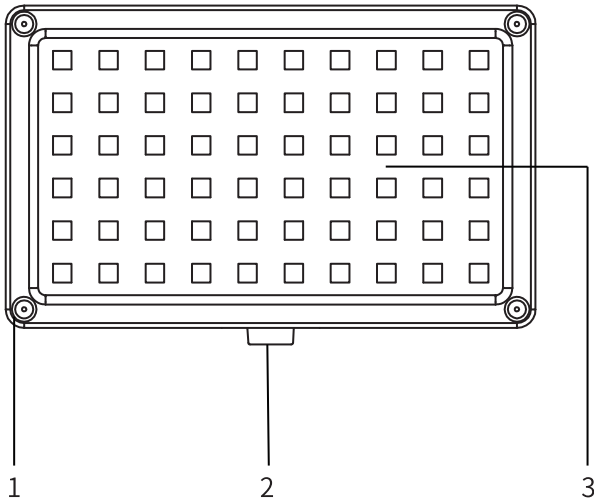


Fig 1 S-2240 front view

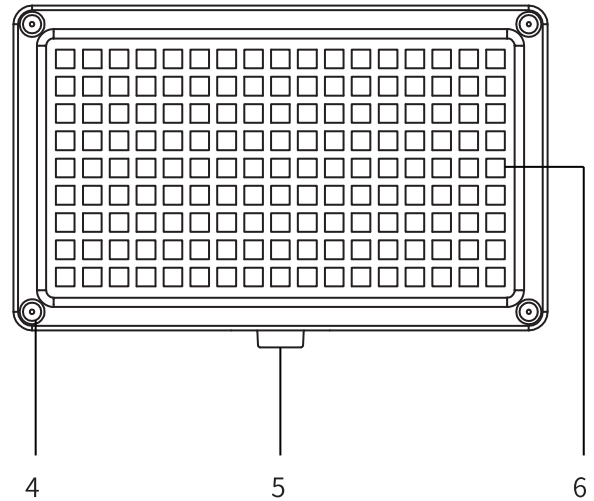


Fig2 S-2241 front view

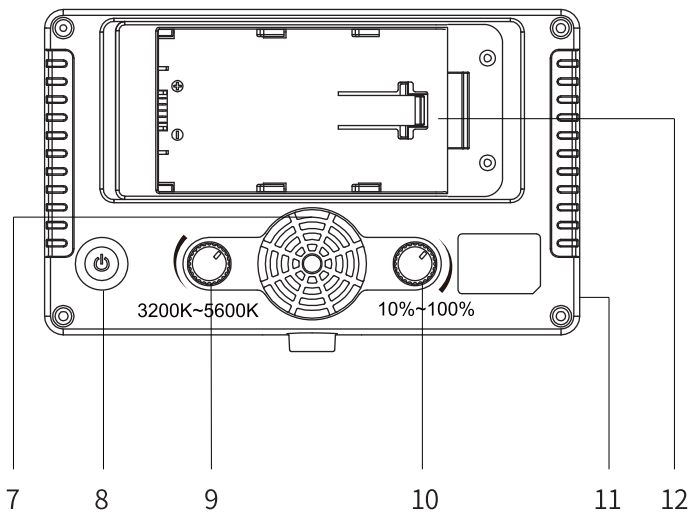


Fig3 S-2240/S-2241 rear view

- 1, 4 Magnet
- 2, 5 Cold shoe with 1/4"thread
- 3, 6 LED panel
- 7 Radiator fan
- 8 Power switch
- 9 Color temperature adjusting knob
- 10 Dimmer knob
- 11 DC input socket
- 12 DV battery plate (For example : JVC SSL-JVC50 camera battery plate)